

GD Quintuplex Fluid End



No Equal, No Question

Gardner Denver fluid ends are built to last, accommodating a wide range of reciprocating, quintuplex stimulation and fracturing pumps. Proprietary autofrettage techniques maximize the strength and thereby extend the life of the fluid end, resulting in a product that lasts up to 3 times longer than our competitors. And Falcon Technology makes service a breeze. We also offer a stainless-steel fluid end that lasts 4 to 6 times longer than carbon steel, dramatically boosting your productivity.

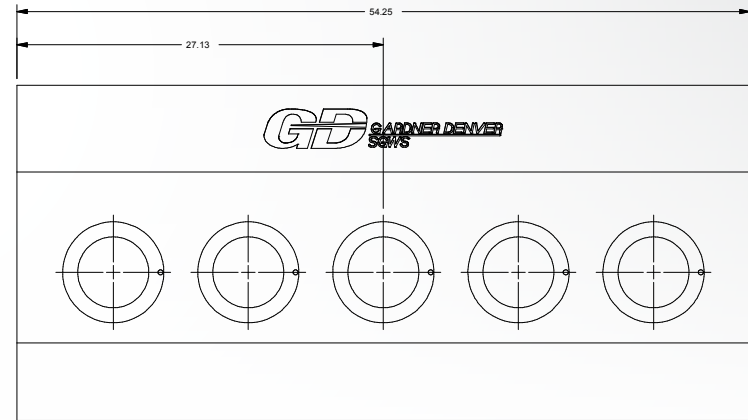
Gardner
Denver

Pumping Perfected.™

GD Quintuplex Fluid End



SPECIFICATIONS



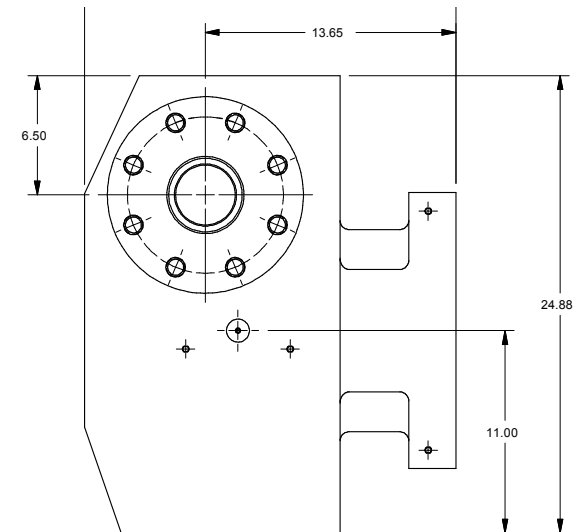
GD Quintuplex FEATURES & BENEFITS

- Machined in-house from domestically sourced steel and extend the life of the fluid end
- Utilizes Falcon spring retainer technology for enhanced serviceability
- Available in valve-over-valve and Y-style crossbore design
- Utilizes proprietary autofrettage techniques to maximize strength
- Lasts 3 times longer than competitors
- Available in stainless steel, which lasts 4 to 6 times longer than carbon steel
- Availability in less than ten days
- Sizes offered range from 3.75" to 6.75"

SGWS
2500Q

Cylinder Size | Valve Family

| | |
|-------|----|
| 3.75" | P4 |
| 4.0" | P4 |
| 4.5" | P5 |
| 5.0" | P5 |
| 5.5" | P5 |
| 6.0" | P5 |
| 6.75" | P6 |



CONNECT WITH US: