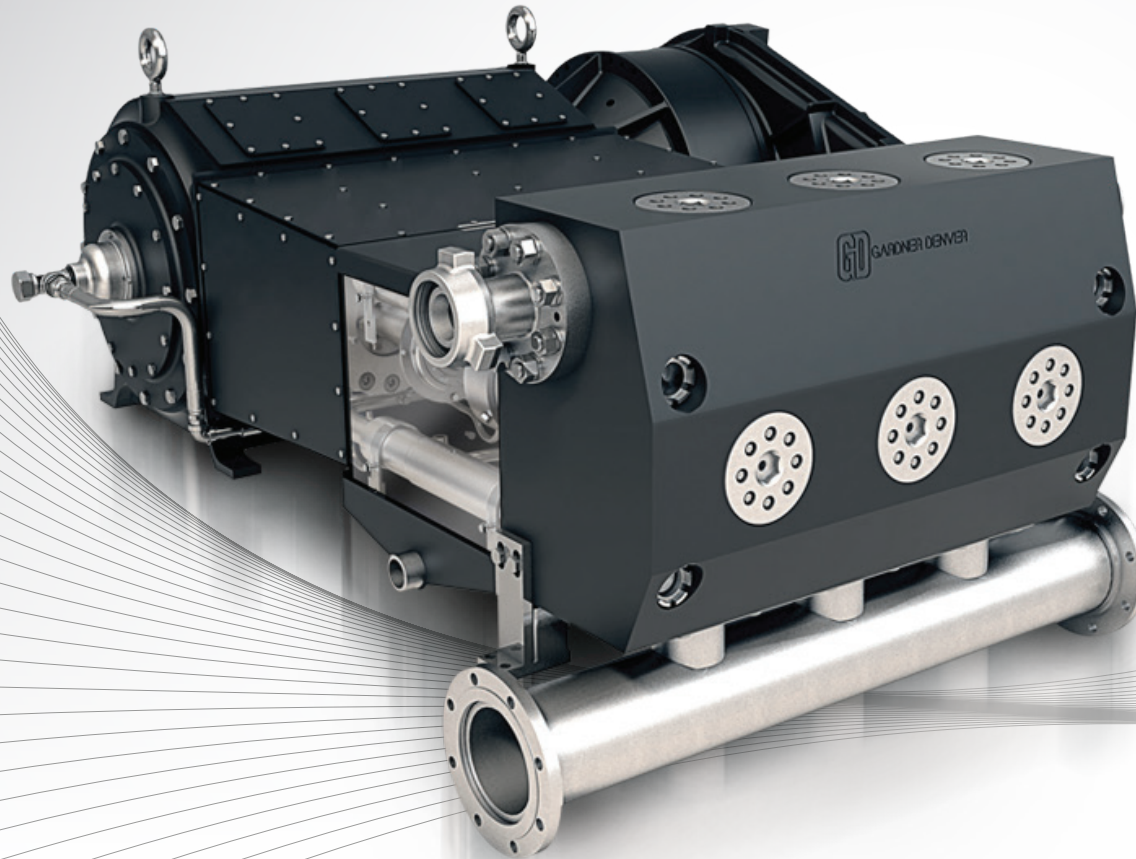


ULTRA LIGHTWEIGHT Drilling Pump



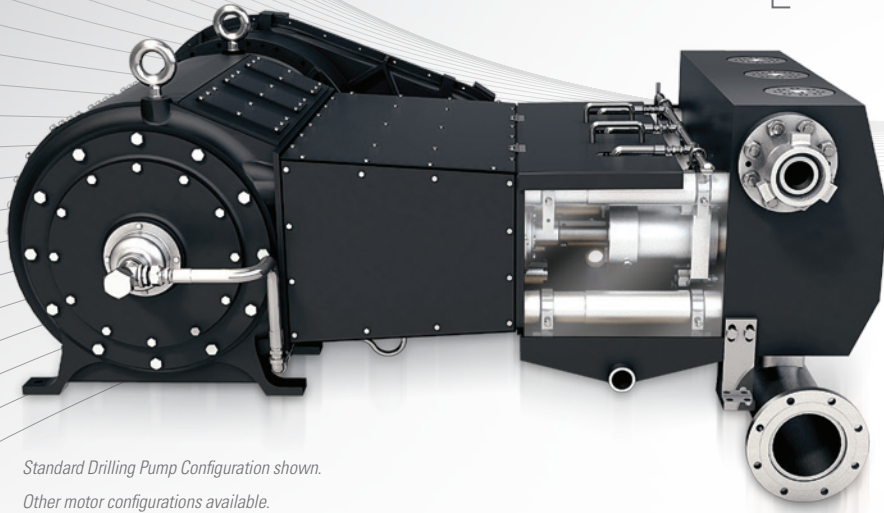
SPECIFICATIONS

Maximum Input	1,500 BHP (1,118 kw)
Maximum RPM	110 RPM
No. of Pistons	3
Stroke Length	11" (279 mm)
Piston Load	147,275 (655,112 N)
Pump Weight	19,500 lbs. (8,845 kg)
Gear Ratio	7.842:1
Overall Length	100" (2,559 mm)
Overall Width	101" (2,575 mm)
Overall Height	43" (1,107 mm)

PISTON CYLINDER		DISPLACEMENT – DRILLING SERVICE				MAXIMUM PSI		PUMP RPM	JACKSHAFT RPM
DIAMETER		PER REVOLUTION		MAXIMUM FLOW RATE		PSI	bar		
inch	mm	gallon	liters	GPM	LPM				
7	178	5.50	20.81	605	2289	3827	264	110	863
6.5	165	4.74	17.94	521	1974	4438	306		
6.25	159	4.38	16.59	482	1825	4800	331		
6	152	4.04	15.29	444	1682	5209	359		
5.5	140	3.39	12.85	373	1413	6199	427		
5	127	2.80	10.62	309	1168	7500	517		

**Gardner
Denver**
Pumping Perfected.™

ULTRA LIGHTWEIGHT Drilling Pump



Standard Drilling Pump Configuration shown.

Other motor configurations available.

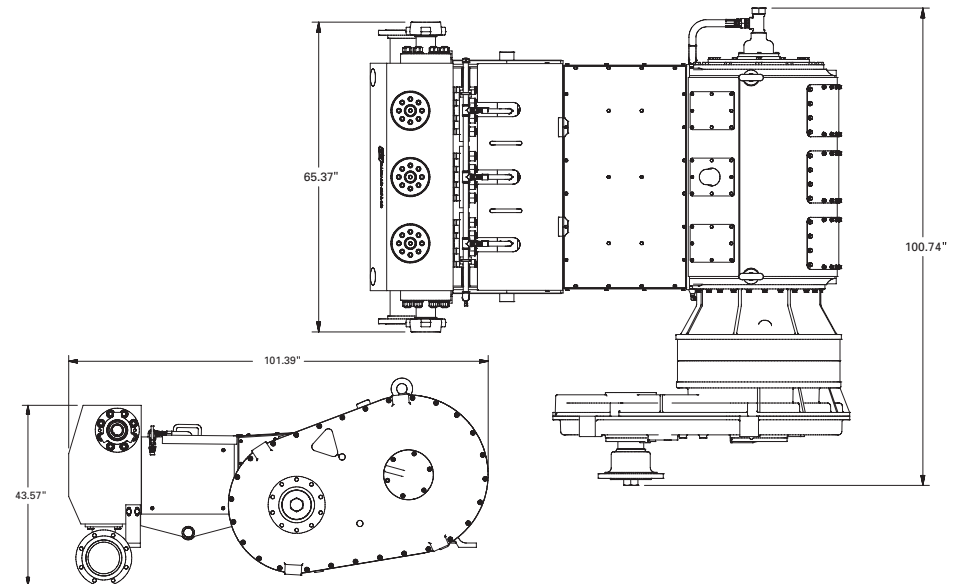
OPTIONAL FEATURES

- Various piston, liner styles and sizes
- Suction stabilizer and/or discharge dampener
- External electric-powered lube pump
- Splined flange for gear reducer
- Center gauge connection
- Hydraulic torque wrench for fluid end removal
- Centrifugal suction charging pump

STANDARD FEATURES

- Small footprint design that delivers performance comparable to much larger drilling pumps
- 101" width dimension allows for permit-free truck mounted transport
- Lightweight, can be helicopter airlifted without breaking down to constituent components
- Modular power end design featuring high power density planetary gearbox with offset
- Forged, heat-treated alloy steel crankshaft
- Cross-drilled crankshaft and connecting rod for pressurized oil flow to critical components
- Coated crosshead surfaces for wear resistance
- Hardened surface on connecting rod thrust knuckle for severe duty applications
- Forged SAE 4330 fluid end for extended field service
- Through stud fluid end design for maintenance and removal ease
- Fluid end employs Falcon twist-in spring retainer technology
- P-Quip "KwikRod" quick change piston rod system

SPECIFICATIONS



CONNECT WITH US: