

GD-2500 Quintuplex Well Service Pump



Specifications	Well Service
Maximum Input	2,500 BHP (1,864 kw)
Maximum RPM	330 RPM
Number of Plungers	5
Stroke Length	8" (203 mm)
Plunger Load	196,350 lbs. (89,000 kg)
Pump Weight	14,570 lbs. (6,625 kg)
Gear Ratio	6.353:1

GD-2500 Quintuplex Well Service Duty Performance Ratings

Plunger Diameter		Displacement per Revolution		Displacement at Pump RPM - Well Stimulation and Intermittent Application															
				100				150				250				330			
in.	mm.	Gal/Rev.	Liter/Rev.	GPM	LPM	PSI	kg/sq. cm	GPM	LPM	PSI	kg/sq. cm	GPM	LPM	PSI	kg/sq. cm	GPM	LPM	PSI	kg/sq. cm
Forged Steel 52" VOV and 52" GWS Fluid Ends																			
3.75	95	1.91	7.24	191	724	17800	1251	287	1085	13500	949	478	1809	8100	569	631	2388	6100	429
4	102	2.17	8.23	217	823	15600	1097	326	1235	11800	830	544	2058	7100	499	718	2717	5400	380
4.5	114	2.75	10.42	275	1042	12400	872	413	1563	9300	654	688	2605	5600	394	908	3438	4200	295
5	127	3.40	12.86	340	1286	10000	703	510	1930	7600	534	850	3216	4500	316	1121	4245	3400	239
5.5	140	4.11	15.56	411	1556	8300	584	617	2335	6300	443	1028	3891	3800	267	1357	5136	2800	197
5.75	146	4.49	17.01	449	1701	7600	534	674	2552	5700	401	1124	4253	3400	239	1483	5614	2600	183
6	152	4.89	18.52	489	1852	6900	485	734	2779	5300	373	1223	4631	3200	225	1615	6113	2400	169
6.5	165	5.74	21.74	574	2174	5900	415	861	3261	4500	316	1436	5435	2700	190	1895	7174	2000	141
6.75	171	6.19	23.44	619	2344	5500	387	929	3517	4200	295	1548	5861	2500	176	2044	7736	1900	134
Input Power:		BHP		2200				2500				2500				2500			
		kW		1641				1864				1864				1864			

Ratings are based on 90% mechanical efficiency and 100% volumetric efficiency.

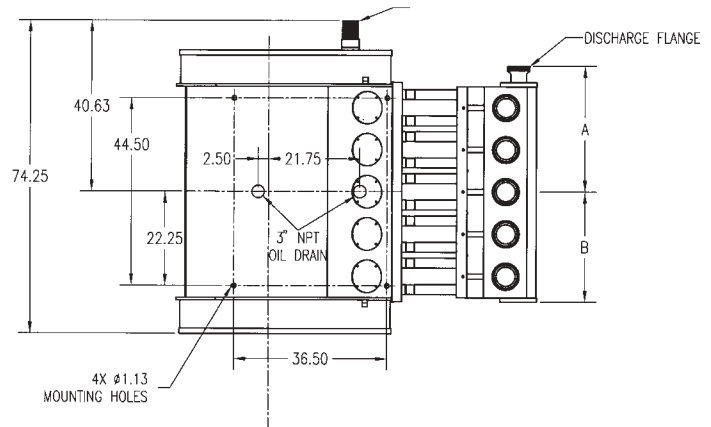
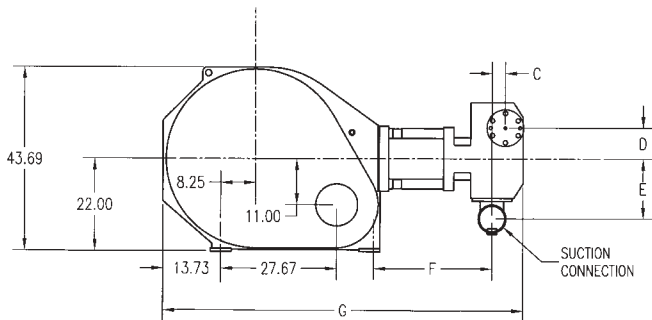
GD-2500 Quintuplex Well Service Pump



Standard Features

- Enhanced service life expectations
- New power frame fabrication technology with 28% less stress
- New splined or keyed bull gear and pinion gear design with 38% higher tooth contact and AGMA horsepower rating
- Upgraded crosshead bushings with improved oil grooved pattern and material specifications
- Nodular iron connecting rods providing extended durability
- Hardened clamp type extension rods
- Rolled thread, alloy steel stay rods
- Pressurized lubrication through the crankshaft
- Ductile iron crossheads and bronze crosshead slides
- One piece forged steel alloy valve-over-valve fluid-end design
- Colmonoy hardened coated plungers
- Adjustable or non-adjustable Chevron or header ring style pressure packing
- Heat-treated wing guided valves and seats
- Single or dual bolted steel WECO style discharge flanges
- Schedule 80 steel suction manifold with victaulic coupling

Plunger Size	3.75" - 5"	5.5" - 6"	6.5" - 6.75"
Discharge Flange	3"-1502	3"-1502	3"-1502
Suction Connection	6"	8"	8"
A	30.94	30.94	30.94
B	27	27	26.7
C	3	3	3.25
D	7.5	7.5	8.75
E	14	14	17.25
F	28	28	29
G	84.75	84.75	86.25



Note: All installations must contain a pressure relief valve in the discharge line near the pump.

Gardner Denver

Drilling & Production Pumps
Gardner Denver Pump Division
1800 Gardner Expressway
Quincy, IL 62301
Phone: 217-224-8800
Fax: 217-224-7814

Drilling & Production After-Market
Gardner Denver Pump Division
2200 South Prospect
Oklahoma City, OK 73129
Phone: 405-677-5736
Fax: 405-677-5807

Well Service Pumps
Gardner Denver Pump Division
4747 South 83rd East Avenue
Tulsa, OK 74145
Phone: 918-828-7800
Fax: 918-447-6487

GEOQUIP SERVICE CENTER

After-Market & Repair Facility
Gardner Denver Pump Division
7533 Kathy Lane
Fort Worth, TX 76126
Phone: 817-249-6400
Fax: 817-249-6383

CHAPARRAL SERVICE CENTER

After-Market & Repair Facility
Gardner Denver Pump Division
2121 West 44th Street
Odessa, TX 79764
Phone: 432-366-5433
Fax: 432-363-9940

< www.gardnerdenver.com >