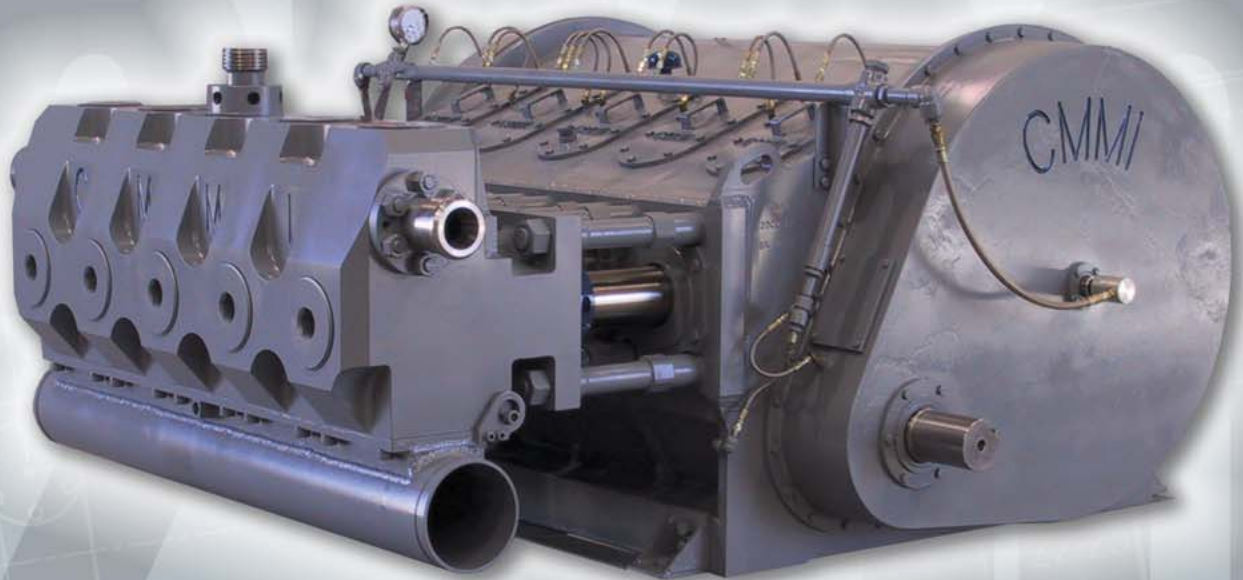


C-2500 Quintuplex Well Service Pump



Specifications	Well Service
Maximum Input	2,500 BHP (1,865 kw)
Maximum RPM	330 RPM
Number of Plungers	5
Stroke Length	8" (203 mm)
Plunger Load	225,000 lbs. (102,050 kg)
Pump Weight	18,800 lbs. (8,528 kg)
Gear Ratio	6.353:1

Shown with EWS fluid end.

C-2500 Quintuplex Intermittent Duty Performance Ratings

Plunger Diameter		Displacement per Revolution		Displacement at Pump RPM - Well Stimulation and Intermittent Application															
				100				150				250				330			
in.	mm.	Gal/Rev.	Liter/Rev.	GPM	LPM	PSI	kg/sq. cm	GPM	LPM	PSI	kg/sq. cm	GPM	LPM	PSI	kg/sq. cm	GPM	LPM	PSI	kg/sq. cm
Forged VOV, EWS and YWS CWS																			
3.75	95	1.91	7.24	191	724	20000	1406	287	1085	13450	946	478	1809	8050	566	631	2388	6100	429
4	102	2.17	8.23	217	823	17900	1258	326	1235	11800	830	544	2058	7100	499	718	2717	5350	376
4.5	114	2.75	10.42	275	1042	14150	995	413	1563	9350	657	688	2605	5600	394	908	3438	4250	299
5	127	3.40	12.86	340	1286	11450	805	510	1930	7550	531	850	3216	4550	320	1121	4245	3450	243
5.5	140	4.11	15.56	411	1556	9500	668	617	2335	6250	439	1028	3891	3750	264	1357	5136	2850	200
5.75	146	4.49	17.01	449	1701	8650	608	674	2552	5700	401	1124	4253	3450	243	1483	5614	2600	183
6	152	4.89	18.52	489	1852	7950	559	734	2779	5250	369	1223	4631	3150	221	1615	6113	2400	169
6.5	165	5.74	21.74	574	2174	6800	478	861	3261	4500	316	1436	5435	2700	190	1895	7174	2050	144
6.75	171	6.19	23.44	619	2344	6300	443	929	3517	4150	292	1548	5861	2500	176	2044	7736	1900	134
7	178	6.66	25.21	666	2521	5850	411	999	3782	3850	271	1665	6303	2300	162	2198	8320	1750	123
7.5	191	7.65	28.94	765	2894	5100	359	1147	4341	3350	236	1912	7236	2000	141	2523	9551	1550	109
Input Power:		BHP		2500				2500				2500				2500			
		kW		1864				1864				1864				1864			

Ratings are based on 90% mechanical efficiency and 100% volumetric efficiency.

C-2500 Quintuplex Well Service Pump



Standard Features

- Heavy-duty chankshaft style construction
- Continuous non-interrupted lubrication to critical components
- Built in lifting eyes for ease of handling and improved safety on EWS and YWS
- Clamped colmonoy hard coated plungers
- Adjustable or non-adjustable Chevron or header ring style pressure packing
- Left or right-side suction and discharge connections
- Single left or right-hand bolted forged steel WECO style discharge flanges
- Single WECO style pressure gauge connection
- Schedule 80 suction manifold with victaulic coupling

Fluid End Options CWS, EWS, YWS

CWS VOV Technology

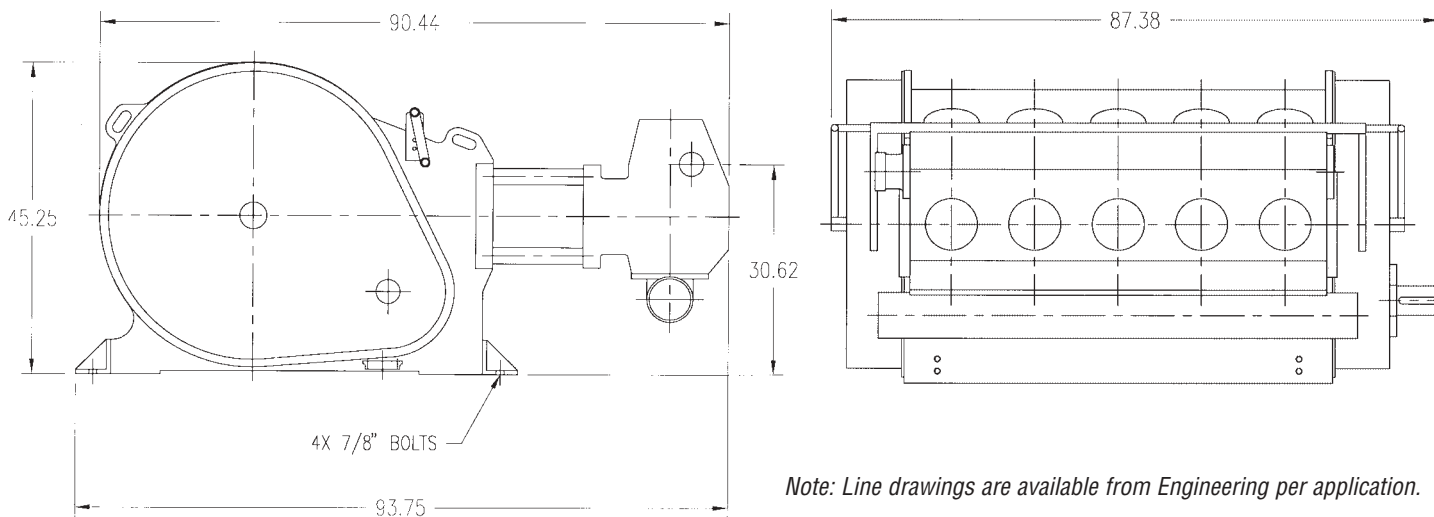
- 4330 modified, H78C & H78E forged alloy steel blocks.
- Heat-treated wing guided valves.
- Designed for typical well service, cementing, acidizing and fracturing applications.

EWS "Patented" Technology with "Ultima 1" stem-guided valves

- 4330 forged alloy steel block
- FEA Analysis supports design improvements reduces stresses in critical area. Extending life expectancy of the fluid end.
- Patented heat-treated "Ultima 1" stem-guided valves. Increases valve life 2 to 5 fold. Improves fluid pass through for reduced cavitation.
- "Close Flow - Drop Hinge" suction manifold works directly with "Ultima 1" valves and fluid end design to enhance fluid cylinder loading for smoother operations.
- Designed for severe applications

YWS "Patented" "Magnum" Technology with "Ultima 1" stem-guided valves

- 4330 forged alloy steel block
- Patented heat-treated "Ultima 1" stem-guided valves. Increases valve life 2 to 5 fold. Improves fluid pass through for reduced cavitation.
- "Close Flow - Drop Hinge" suction manifold works directly with "Ultima 1" valves and fluid end design to enhance fluid cylinder loading for smoother operations.
- The "Magnum" design eliminates the conventional crossbore fluid end stress areas. Greatly reducing internal stress, adding material where beneficial, including then improved "Ultima 1" stem-guided valve seat taper design reducing stress areas as in the EWS and extending the life expectancy of the YWS fluid end beyond any conventional design.
- The YWS is the newest proven technology designed for the most severe applications. Intended to extend fluid cylinder life in critical applications. High-pressure, high proppant loads, and high rate jobs; these service applications that have proven to shorten conventional fluid end life, are now designed for with the YWS "Magnum".



Note: Line drawings are available from Engineering per application.

Gardner Denver

Drilling & Production Pumps
Gardner Denver Pump Division
1800 Gardner Expressway
Quincy, IL 62301
Phone: 217-224-8800
Fax: 217-224-7814

Drilling & Production After-Market
Gardner Denver Pump Division
2200 South Prospect
Oklahoma City, OK 73129
Phone: 405-677-5736
Fax: 405-677-5807

Well Service Pumps
Gardner Denver Pump Division
4747 South 83rd East Avenue
Tulsa, OK 74145
Phone: 918-828-7800
Fax: 918-447-6487

GEOQUIP SERVICE CENTER

After-Market & Repair Facility
Gardner Denver Pump Division
7533 Kathy Lane
Fort Worth, TX 76126
Phone: 817-249-6400
Fax: 817-249-6383

CHAPARRAL SERVICE CENTER

After-Market & Repair Facility
Gardner Denver Pump Division
2121 West 44th Street
Odessa, TX 79764
Phone: 432-366-5433
Fax: 432-363-9940