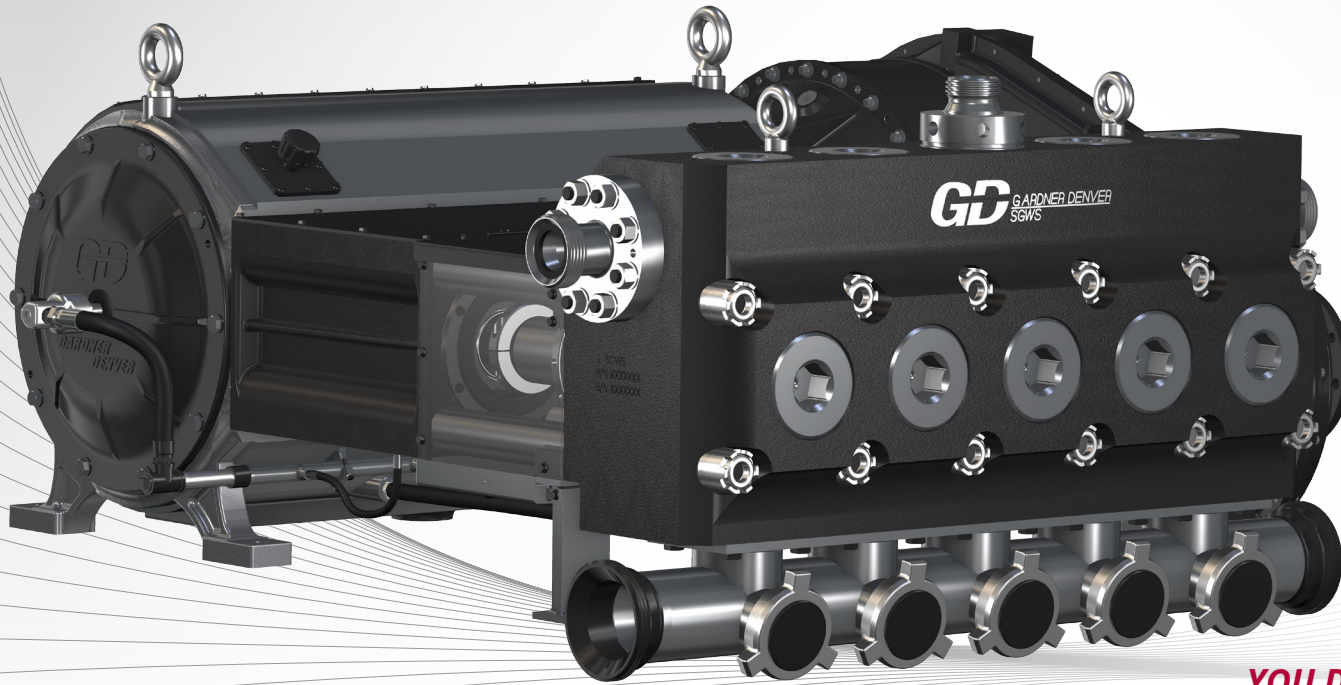


THUNDER Quintuplex Pump



SPECIFICATIONS

Maximum Input	3000 BHP (2,237 kw)
Maximum RPM	300 RPM
No. of Cylinders	5
Stroke Length	11 in. (279mm)
Rod Load	210,000 lbs. (934,127 N)
Pump Weight	21,130 lbs (9,584 kg)
Gear Ratio	7.842:1

**YOU DON'T OPERATE IT.
YOU EXPERIENCE IT.**

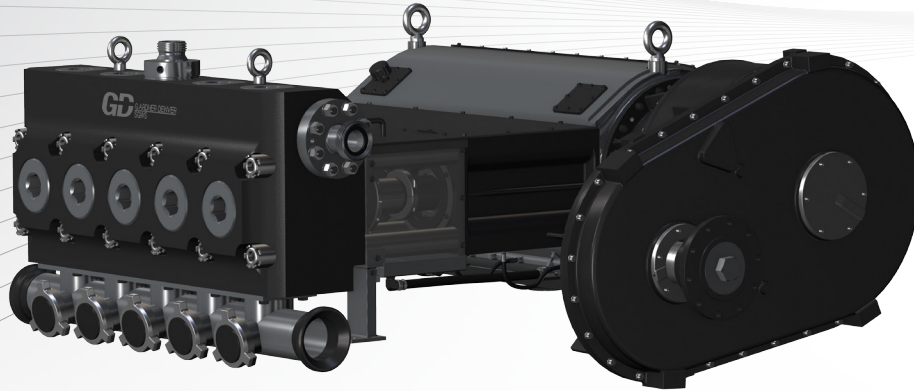
**THE FUTURE
IS MADE
HERE**

(Also available in Triplex Version)

PLUNGER DIAMETER		DISPLACEMENT PER REVOLUTION		DISPLACEMENT AT PUMP RPM - INTERMITTENT SERVICE																			
				50				100				200				250				300			
in	mm	Gallon	m ³	GPM	m ² /hr	PSI	bar	GPM	m ² /hr	PSI	bar	GPM	m ² /hr	PSI	bar	GPM	m ² /hr	PSI	bar	GPM	m ² /hr	PSI	bar
3.5	89	2.291	0.0087	115	26	20000	1379	229	52	20000	1379	458	104	10101	696	573	130	8081	557	687	156	6734	464
4.0	102	2.992	0.0113	150	34	16711	1152	299	68	15467	1066	598	136	7734	533	748	170	6187	427	898	204	5156	355
4.5	114	3.787	0.0143	189	43	13204	910	379	86	12221	843	757	172	6111	421	947	215	4888	337	1136	258	4074	281
5.0	127	4.675	0.0177	234	53	10695	737	467	106	9899	683	935	212	4950	341	1169	265	3960	273	1402	319	3300	228
5.5	140	5.657	0.0214	283	64	8839	609	566	128	8181	564	1131	257	4091	282	1414	321	3272	226	1697	385	2727	188
5.75	146	6.183	0.0234	309	70	8087	558	618	140	7485	516	1237	281	3743	258	1546	351	2994	206	1855	421	2495	172
6.0	152	6.732	0.0255	337	76	7427	512	673	153	6874	474	1346	306	3437	237	1683	382	2750	190	2020	459	2291	158
6.5	165	7.901	0.0299	395	90	6329	436	790	179	5857	404	1580	359	2929	202	1975	449	2343	162	2370	538	1952	135

Ratings are based on 90% mechanical efficiency and 100% volumetric efficiency.

THUNDER Quintuplex Pump



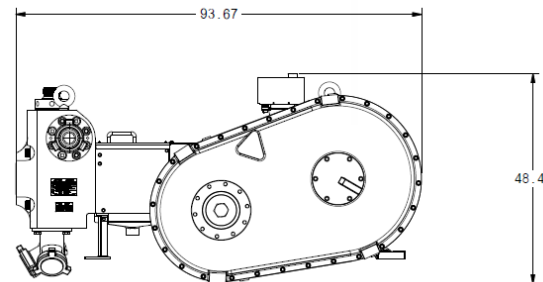
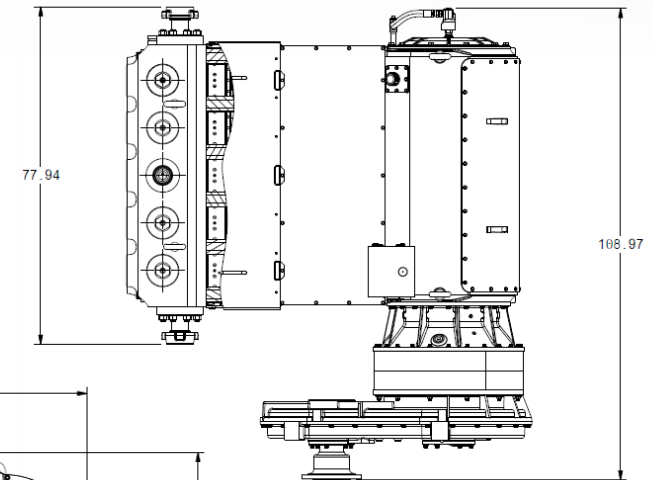
OPTIONAL FEATURES

- DNV, ABS, PED or other third party certifications
- Splined flange for gear reducer
- Dual discharge flanges
- Various plunger packing styles
- Additional gauge connections
- Hydraulic torque wrench for fluid end removal
- Customizable suction manifolds

SPECIFICATIONS

STANDARD FEATURES

- 11" Stroke length for reduced consumable life cycles and superior flow rate capability when compared to competing 10" stroke pumps
- Optimized crankshaft design for minimal vibrations
- Falcon twist in spring retainer technology for rapid valve changes with no alignment requirements or special tools
- Optimized fluid end design provides more than 2x life of competing 10" stroke pumps
- Stainless steel fluid end for superior corrosion resistance
- Standard SGWS fluid end internal components
- Plunger, stuffing box and packing nut are Thunder-specific
- Lightweight modular pump design with field-proven GD-3000 planetary gearbox with a 28" offset for mounting flexibility



**Gardner
Denver**
Pumping Perfected.™

CONNECT WITH US :

www.gardnerdenverpumps.com • 1-866-GDPumps •  [GardnerDenverPumps](https://www.facebook.com/GardnerDenverPumps) •  [GardnerDenverPumpsTV](https://www.youtube.com/GardnerDenverPumpsTV) •  [@GDPumps](https://twitter.com/GDPumps) •  [GardnerDenverPumps](https://www.linkedin.com/GardnerDenverPumps)