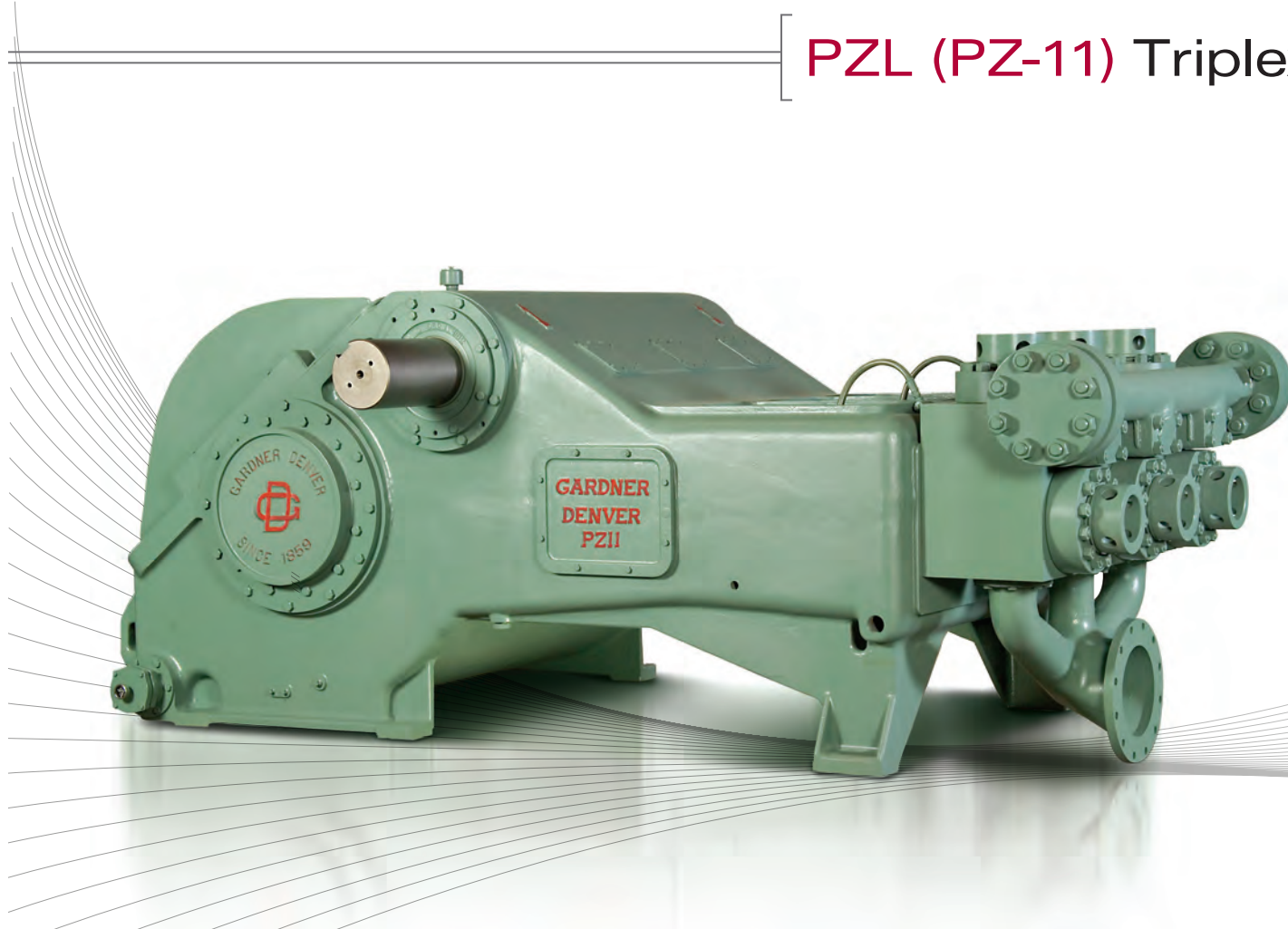


PZL (PZ-11) Triplex Drilling Mud Pump



SPECIFICATIONS

Maximum Input	1,600 BHP (1,193 kw)
Maximum RPM	115 RPM
Stroke Length	11 in. (279 mm)
Piston Load	150,300 lbs. (668,568 N)
Pump Weight	37,000 lbs. (16,815 kg)
Gear Ratio	4.38:1

PISTON CYLINDER		DISPLACEMENT – DRILLING SERVICE				MAXIMUM PSI		PUMP RPM	JACKSHAFT RPM
DIAMETER		PER REVOLUTION		MAXIMUM FLOW RATE		PSI	bar		
inch	mm	gallon	liters	GPM	LPM				
7	178	5.50	20.81	632	2393	3904	269		
6.5	165	4.74	17.94	545	2064	4527	312		
6.25	159	4.38	16.59	504	1908	4897	338		
6	152	4.04	15.29	465	1758	5000	345		
5.5	140	3.39	12.85	390	1478	5000	345		
5	127	2.80	10.62	323	1221	5000	345		

Ratings shown are for 5,000 PSI Fluid End Cylinder. For 7,500 PS Fluid End Cylinder, visit www.gardnerdenverpumps.com

Weight: Complete pump with large steel skid - 41,400 pounds.

Ratings are based on 90% mechanical efficiency and 100% volumetric efficiency.

**Gardner
Denver**

Pumping Perfected.™

PZL (PZ-11) Triplex Drilling Mud Pump



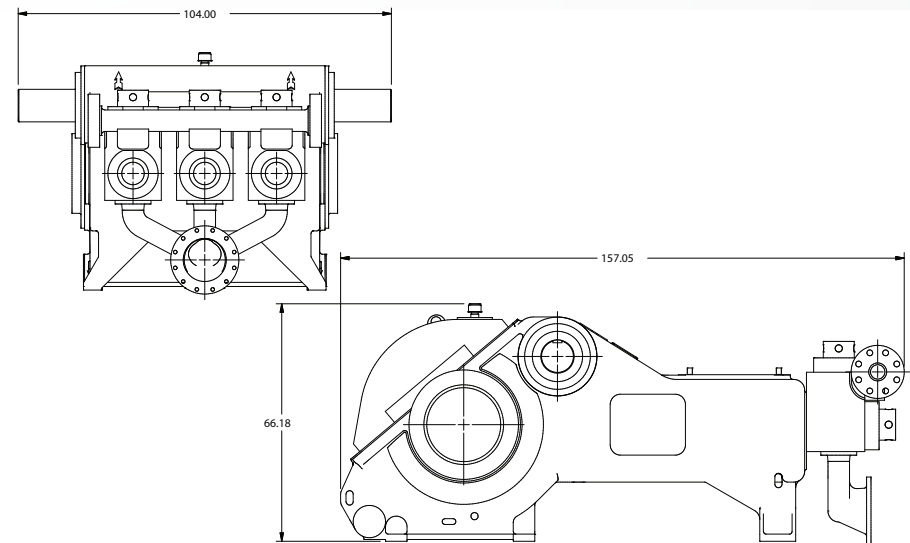
OPTIONAL FEATURES

- Steel transportation and placement skid for pump only or larger maintenance skid with non-slipping deck
- Centrifugal suction charging pump
- Suction stabilizer and/or discharge damper
- External electric powered lube pump
- Fabricated, log style suction manifold
- Full open valve seats
- Custom packaging available

STANDARD FEATURES

- High strength, cast nodular iron power frame, eccentric, connecting rods, and crossheads
- Full roller bearing construction at eccentric mains, jackshift, connecting rods, and crosshead pins
- Heat treated alloy steel, double helical AGMA drive gears
- Double extended jackshift for mounting sheaves or sprockets
- Replaceable bronze crosshead slides
- Heat treated alloy steel, valve over valve, interchangeable fluid end modules
- Hydrostatic tested cast steel discharge manifold
- API suction and discharge connections

SPECIFICATIONS



CONNECT WITH US:

www.gardnerdenverpumps.com

• 1-866-GDPumps



GardnerDenverPumps



GardnerDenverPumps TV



@GDPumps



GardnerDenverPumps