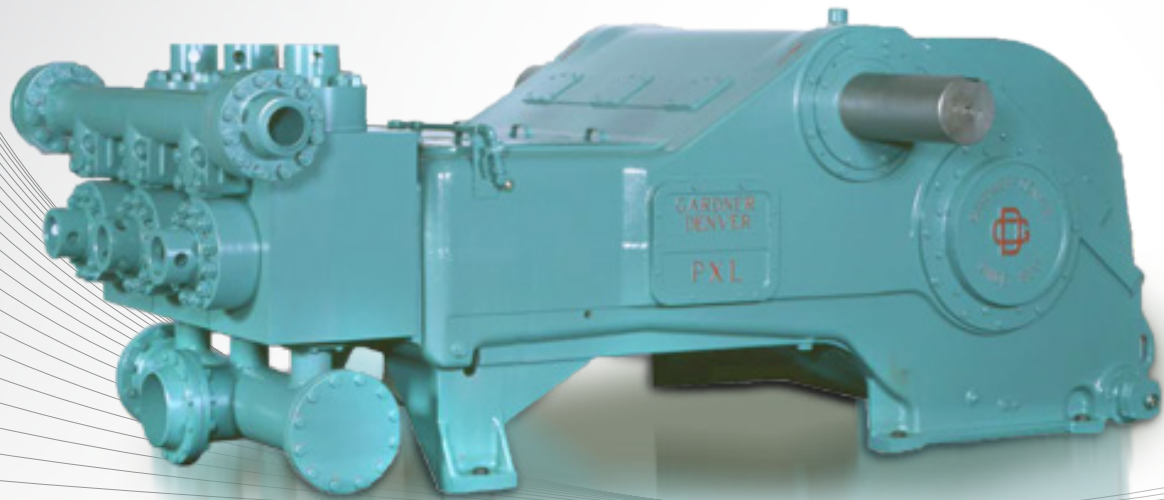


PXL Triplex Drilling Mud Pump



SPECIFICATIONS

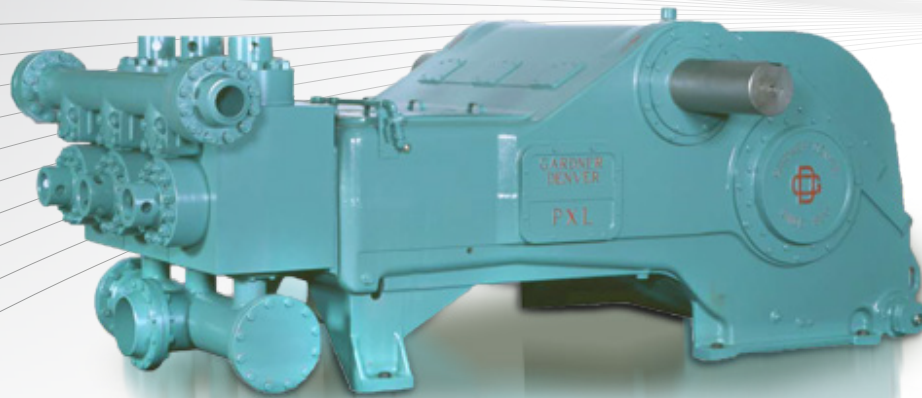
Maximum Input	2,000 BHP (1,491 kw)
Maximum RPM	115 RPM
Stroke Length	11" (279 mm)
Piston Load	186,875 lbs. (831,261 N)
Pump Weight	41,750 lbs (18,975 kg)
Gear Ratio	4.38 :1

PISTON CYLINDER		DISPLACEMENT – DRILLING SERVICE				MAXIMUM PSI		PUMP RPM	JACKSHAFT RPM
DIAMETER		PER REVOLUTION		MAXIMUM FLOW RATE					
inch	mm	gallon	liters	GPM	LPM	PSI	bar		
7	178	5.50	20.81	632	2393	4856	335	115	504
6.5	165	4.74	17.94	545	2064	5632	388		
6.25	159	4.38	16.59	504	1908	6091	420		
6	152	4.04	15.29	465	1758	6609	456		
5.5	140	3.39	12.85	390	1478	7500	517		
5	127	2.80	10.62	323	1221	7500	517		

**Gardner
Denver**
Pumping Perfected.™

Weight: Complete pump with large steel skid - 46,250 pounds.
Ratings are based on 90% mechanical efficiency and 100% volumetric efficiency.

PXL Triplex Drilling Mud Pump



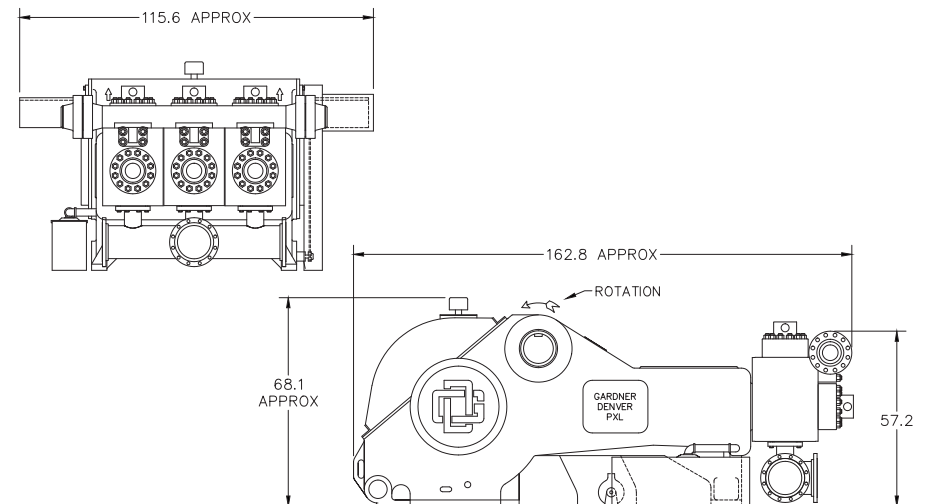
STANDARD FEATURES

- Updated frame design: Improved main bearing retention system for superior performance and serviceability
- Optimized frame geometry to minimize stress and maximize operating life
- Advanced homogenous nodular iron power frame with internal ribbing in critical areas for improved strength and higher horsepower
- Expanded eccentric wall thickness by 14% with improved tensile strength of 25%
- Cross-sectional increases in the connecting rod and an increase in the crosshead slide area of 16%, improves bearing capacity and strength
- Double-row spherical roller bearings carry eccentric
- Increased length of double-extended jackshaft 5" and diameter by 1/2" carried on heavy-duty straight roller bearings improve strength and provide a more generous sprocket/sheave engagement
- Enlarged dual roller-bearing connecting rods for increased load carrying capacity
- Main gears cut on heat-treated alloy steel, interchangeable fluid cylinders
- Three-rib API-6 urethane insert valves and seats
- Replaceable-type element oil filter and oil pressure gauge
- Threaded valve cover locks and rings
- Complete piston washing and lubrication system
- Fabricated suction manifold

OPTIONAL FEATURES

- Steel skid under pump only
- Large steel skid with non-skid decking
- Centrifugal suction charging pump
- Rubber valve inserts
- Suction and/or discharge dampeners
- Oil heat exchanger cooling system
- External electric-powered lube pump
- Custom packaging available
- Full open valve

SPECIFICATIONS



CONNECT WITH US:

www.gardnerdenverpumps.com

• 1-866-GDPumps



GardnerDenverPumps



GardnerDenverPumpsTV



@GDPumps



GardnerDenverPumps