

THE F-SERIES Drilling Modules



Valve-Over-Valve Drilling Module

L-Shape Drilling Module

Highest Performing Drilling Module Technology

Gardner Denver drilling modules are compact and built to last, delivering high performance, pressure, and flow rates two times longer than others. Made with individually forged, heat-treated alloy steel using our proprietary Autofrettage technique, each module offers extended life and maximum strength, yet can be welded to repair washouts. This product fits on F-1300/1600 Series pumps.

STANDARD FEATURES

- VoV design makes service simple with built-in Falcon Technology, with a single-piece, twist-in retainer, and no fasteners required.
- Valve cover bore seal for improved seal performance at the valve covers and wear ring plate.
 - Bore seal wear plates are used in 7,500psi VoV and L-Shape designs.
 - L-Shape design utilizes a seal carrier at the suction discharge interface with bore seals.
- Valve cover bore seal for improved seal performance at the valve covers and wear ring plate.
- Unique Bore Seal Technology providing increased life span and reduced maintenance cost.
- Patent Pending Falcon Technology on VoV design for improved serviceability.
 - Single-piece twist-in retainer
 - No fasteners required
- Improved internal geometry, patented for L-Shape design, to minimize operating stresses.
- Utilizes API 7 valves for increased flow and lower velocity.



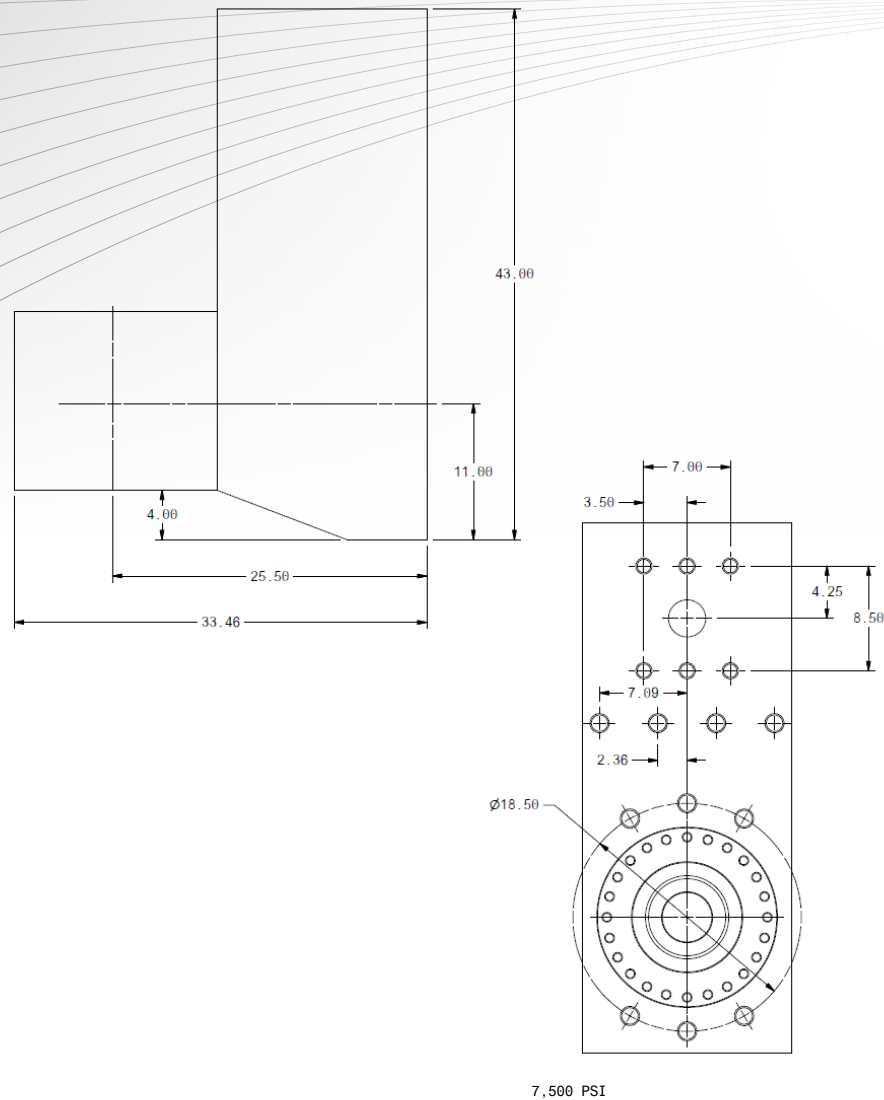
GARDNER DENVER
PUMP UNIVERSITY

**Gardner
Denver**

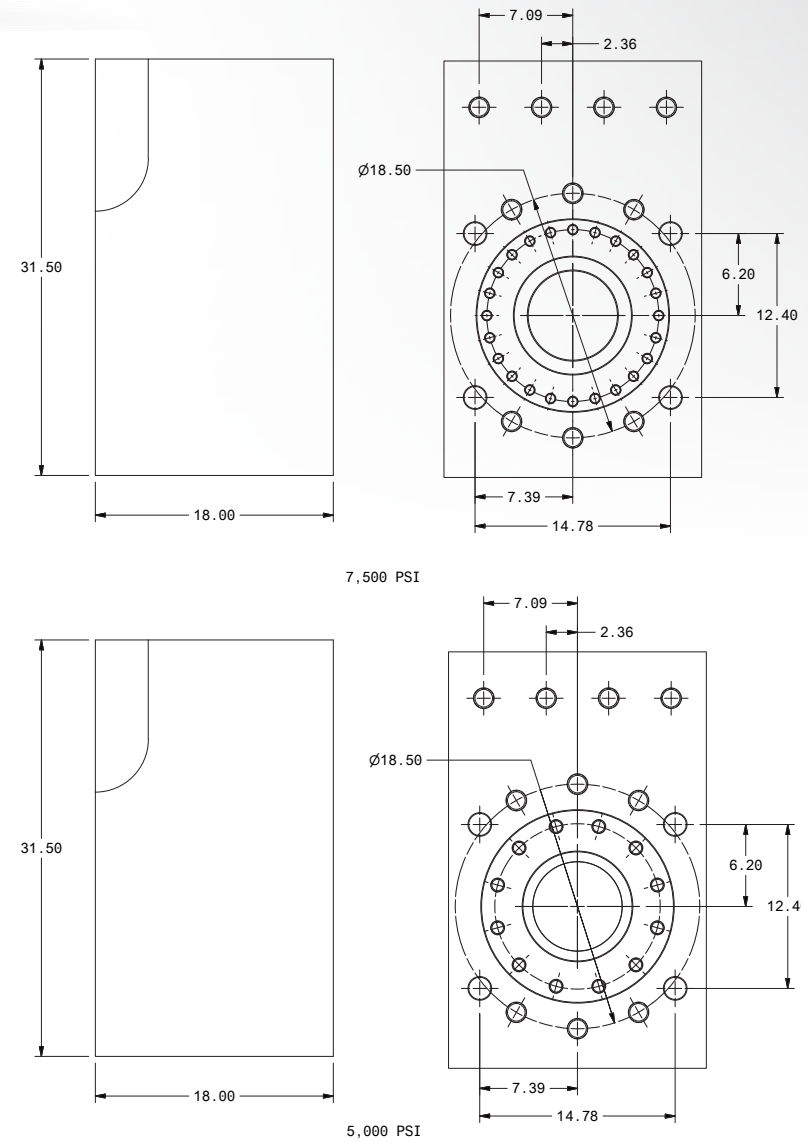
Pumping Perfected.™

THE F-SERIES Drilling Modules

SPECIFICATIONS - L-SHAPE



SPECIFICATIONS - VALVE OVER VALVE



CONNECT WITH US:

www.pumpingperfected.com

• 1-866-GDPumps

• CC-1-918-GDPUMPS

•  GardnerDenverPumps

•  GardnerDenverPumpsTV

•  @GDPumps