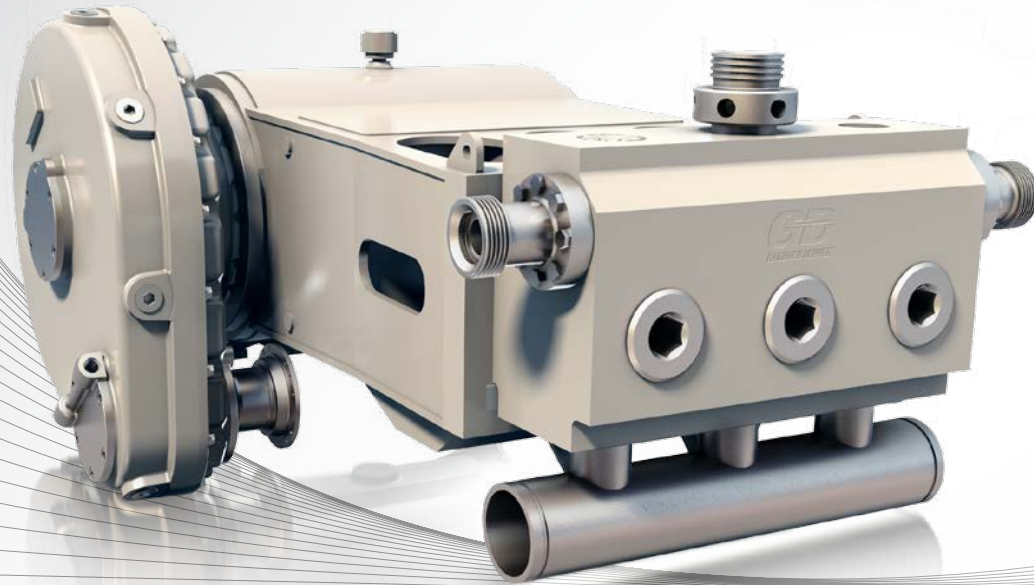


GD-600 Well Service Pump



SPECIFICATIONS

Maximum Input	600 BHP (447 kW)
Maximum RPM	450 RPM
No. of Plungers	3
Stroke Length	6 in. (152 mm)
Plunger Load	100,000 lbs. (45,400 kg)
Pump Weight	5,000 lbs (2,270 kg) average
Gear Ratio	4.68:1

PLUNGER DIAMETER		DISPLACEMENT PER REVOLUTION	DISPLACEMENT @ PUMP RPM				DISPLACEMENT @ PUMP RPM				DISPLACEMENT @ PUMP RPM				DISPLACEMENT @ PUMP RPM				
			100				200				300				450				
in.	mm.	GAL	Liter	GPM	LPM	PSI	kg/sq. cm	GPM	LPM	PSI	kg/sq. cm	GPM	LPM	PSI	kg/sq. cm	GPM	LPM	PSI	kg/sq. cm
Forged Steel AWS Valve Over Valve Fluid Ends																			
2.75	70	.463	1.751	46	175	16845	1184	93	350	10004	703	139	525	6669	469	208	788	4446	313
3	76	.551	2.084	55	208	14154	995	110	417	8406	591	165	625	5604	394	248	938	3736	263
3.5	89	.749	2.836	75	284	10399	731	150	567	6176	434	225	851	4117	289	337	1276	2745	193
4	102	.979	3.705	98	370	7962	560	196	741	4729	332	294	1111	3152	222	440	1667	2102	148
4.5	114	1.239	4.689	124	469	6291	442	248	938	3736	263	372	1407	2491	175	557	2110	1660	117
5	127	1.529	5.789	153	579	5096	358	306	1158	3026	213	459	1737	2071	142	688	2605	1345	95
INPUT POWER:			BHP	500				600				600				600			
			KW	373				447				447				447			

Ratings are based on 90% mechanical efficiency and 100% volumetric efficiency. Now offer autofrettagged 2 3/4" and 3" big block fluid ends.

**Gardner
Denver**
Pumping Perfected.™

GD-600 Well Service Pump

MATERIAL SPECIFICATIONS

FLUID END	Forged SAE 4330 modified alloy steel
STUFFING BOX	Forged steel
CONNECTING RODS	High-strength nodular iron
CROSSHEADS	High-strength nodular iron
MAIN BEARING	Roller
CRANKPIN BEARING	Bronze
CROSSHEAD PIN BEARING	Bronze

STANDARD FEATURES

- Left or right gearbox mounting
- Crankshaft type construction
- Left or right side suction and discharge connections
- Hard coated plungers
- Forged steel fluid end
- Plunger sizes from 2.75 to 5 inches
- Replaceable WECO discharge connections
- Six inch suction manifold with victaulic connections
- Adjustable packing standard, non-adjustable packing optional
- Clamp connections between plungers and pony rods
- Center gauge connection
- Fluid end tool kit

OPTIONAL FEATURES

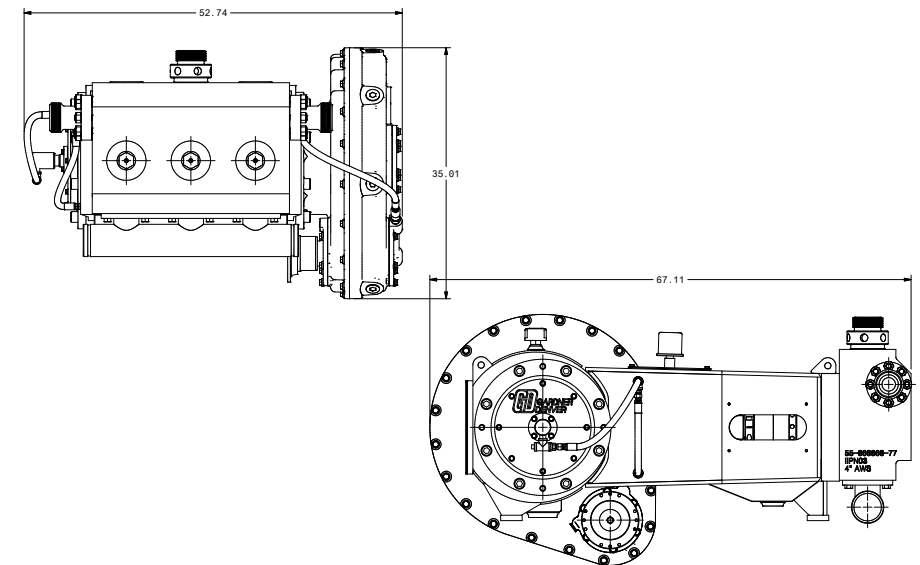
- Autofrettaged fluid ends (2.75 and 3")
- Dual discharge flanges
- Additional center gauge connection
- Six inch suction manifold with ANSI flange and/or suction valve lifter cylinder drains
- Tach drive adapter
- Valve seat puller assembly
- Hydraulic torque wrench
- Companion flanges
- Plunger material
- 13" offset gearbox

FLUID END OPTIONS

- 1. Valve over valve: 2.75" - 3"
- 2. Valve over valve: 3.5" - 4"
- 3. Valve over valve: 4.5" - 5"
- 4. Valve over valve: 2.75" - 3" Autofrettaged

FLUID END	A	B	C	D
1	35.1	53.4	32.3	67.8
2	35.8	53.4	32.3	67.8
3	36.3	53.4	32.3	67.8
4	37.6	53.4	32.3	68.3

SPECIFICATIONS



CONNECT WITH US: