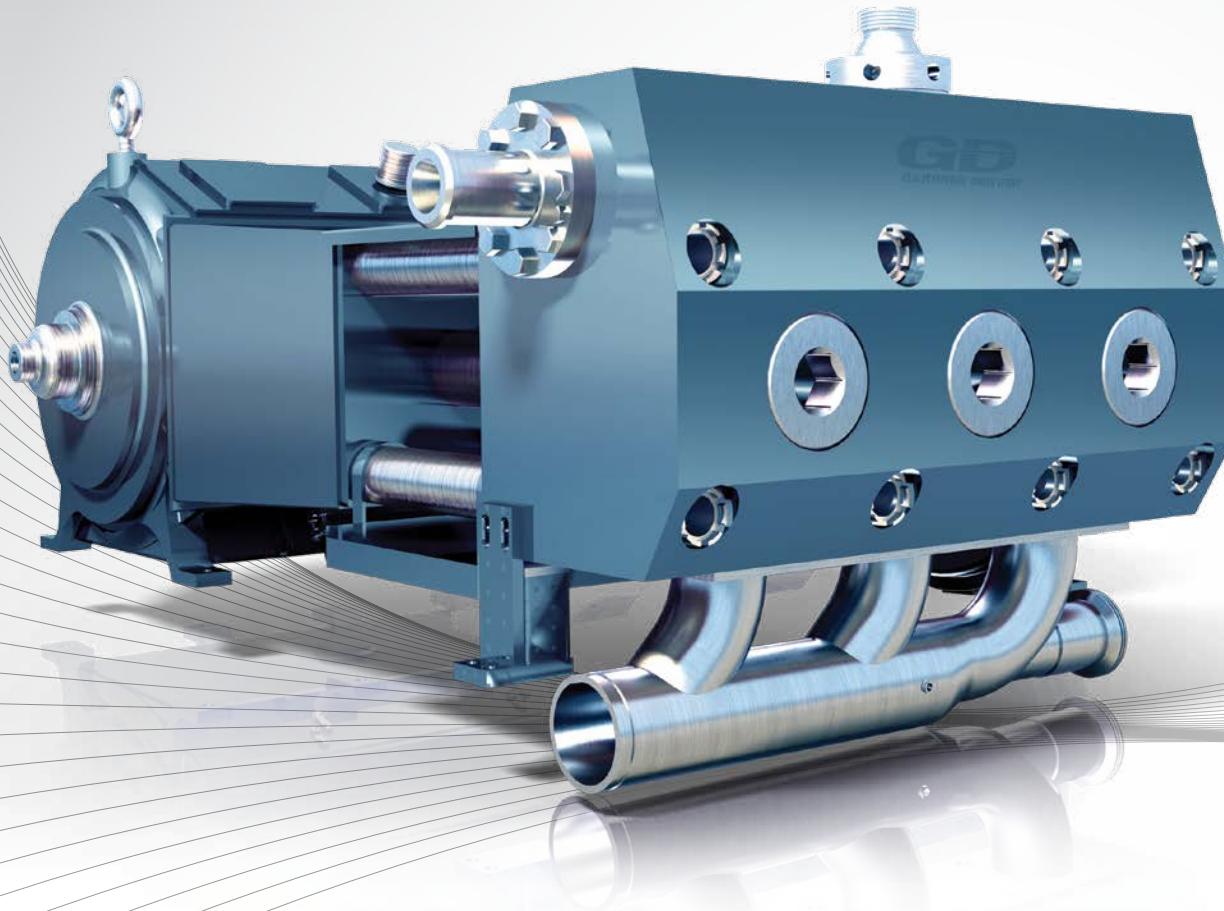


GD-3000 Well Service Pump



SPECIFICATIONS

Maximum Input	3,000 BHP (2,237 kw)
Maximum RPM	250 RPM
No. of Plungers	3
Stroke Length	11 in. (279 mm)
Piston Load	350,000 lbs. (1,556,878 N)
Pump Weight	18,550 lbs. (8,368 Kg)
Gear Ratio	7.842:1

PLUNGER DIAMETER		DISPLACEMENT PER REVOLUTION		DISPLACEMENT AT PUMP RPM – INTERMITTENT SERVICE															
				50				100				200				250			
inch	mm	gallon	m ³	GPM	m ³ /hr	PSI	bar	GPM	m ³ /hr	PSI	bar	GPM	m ³ /hr	PSI	bar	GPM	m ³ /hr	PSI	bar
4.5	114	2.271	.0086	114*	26*	20,000*	1,379*	227*	52*	20,000*	1,379*	454	103	10,200	703	568	129	8,150	562
5	127	2.804	.0106	140	32	17,850	1,231	280	64	16,500	1,138	561	127	8,250	569	701	159	6,600	455
5.5	140	3.392	.0128	170	39	14,750	1,017	339	77	13,650	941	678	154	6,800	469	848	193	5,450	376
5.75	146	3.708	.0140	185	42	13,500	931	371	84	12,500	862	742	169	6,250	431	927	211	5,000	345
6	152	4.037	.0153	202	46	12,400	855	404	92	11,450	789	807	183	5,750	396	1,009	229	4,600	317
6.5	165	4.738	.0179	237	54	10,550	727	474	108	9,750	672	948	215	4,900	338	1,185	269	3,900	269
7	178	5.495	.0208	275	62	9,100	627	550	125	8,400	579	1,099	250	4,200	290	1,374	312	3,350	231

Ratings are based on 90% mechanical efficiency and 100% volumetric efficiency. *Contact Gardner Denver Engineering for application review and approval.

**Gardner
Denver**
Pumping Perfected.™

GD-3000 Well Service Pump

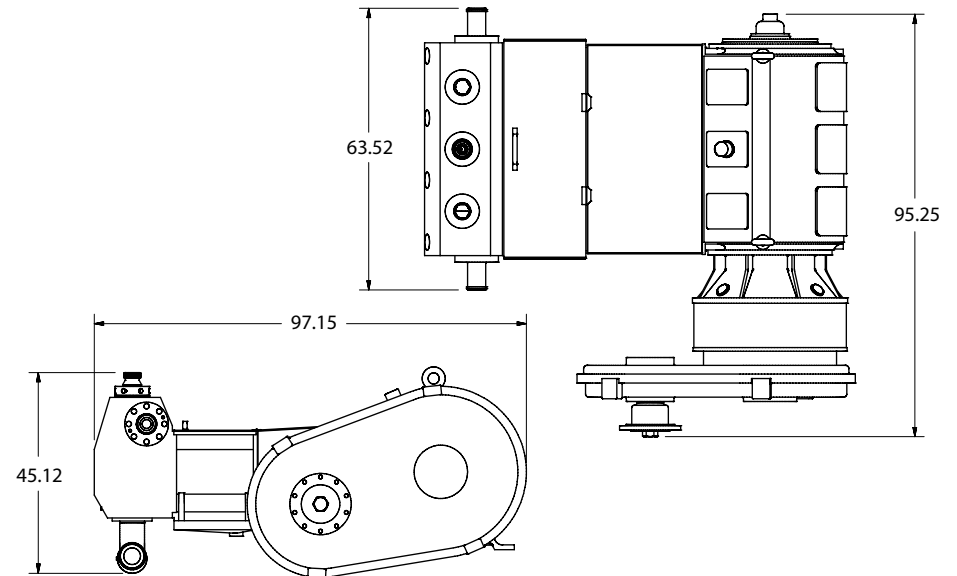
OPTIONAL FEATURES

- DNV, ABS, PED or other third party certifications
- Patented Self-Tightening Valve Cover Retainer Lock System
- Splined flange for gear reducer
- Dual discharge flanges
- Various plunger packing styles
- Additional center gauge connection
- Hydraulic torque wrench for fluid end removal
- Customizable suction manifolds
- Falcon Spring Retainer Technology for improved serviceability

STANDARD FEATURES

- Modular power end design featuring high-power density planetary gearbox with offset
- Left or right side gearbox mounting position
- Forged, heat-treated alloy steel crankshaft
- Cross drilled crankshaft and connecting rod for pressurized oil flow to critical components
- Coated crosshead surfaces for wear resistance
- Hardened surface on connecting rod thrust knuckle for severe-duty applications
- Forged SAE 4330 autofrettaged fluid end for extended field service
- Through stud fluid end design for maintenance and removal ease
- Replaceable stuffing boxes allowing convenient plunger size conversion
- WECO style discharge flanges
- 6 in. high flow, zoomie style suction manifold

SPECIFICATIONS



CONNECT WITH US:

www.gardnerdenverpumps.com

• 1-866-GDPumps



GardnerDenverPumps



GardnerDenverPumpsTV



@GDPumps



GardnerDenverPumps