

## PUMPS

# PZ 2400

## DRILLING PUMP

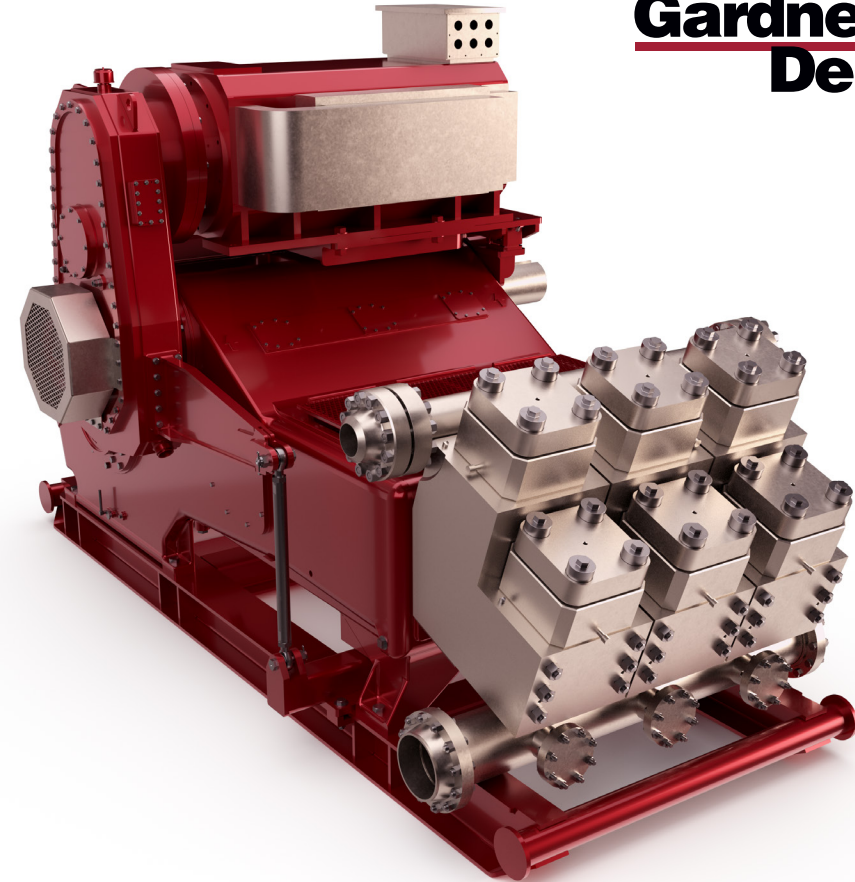
Gardner Denver's PZ 2400 is the most powerful drilling pump available today for both onshore and offshore applications. Rated at 7,500 psi and offering more power (2,400 BHP) at 30% the weight of competing pumps and packaged with Redline™ Series Consumables, the PZ 2400 mud pump is the drilling pump of the future.

### BEST-IN-CLASS FEATURES

- 14" stroke length allowing the PZ 2400 to run longer at higher pressures
- Standard Redline™ Consumables, meaning fewer repairs and more predictable maintenance intervals
- Rated at 7,500 psi, and with a five-year-warranty on the power end, makes the PZ 2400 an ideal choice for both super-spec rigs and rigs requiring upgrades
- Y-Shaped fluid module, meaning less stress is placed on the pumps internal components, improving fatigue life

### SPECIFICATIONS

<b>Maximum Input</b>	2,400 BHP (1,790 kW)
<b>Maximum RPM</b>	110 RPM
<b>Stroke Length</b>	14 in. (356 mm)
<b>Piston Load</b>	185,000 lbs. (822,921 N)
<b>Pump Weight</b>	88,000 lbs. (39,916 kg) with Top Drive Gearbox System 63,500 lbs. (28,803 kg) with skid and hydraulic tensioning system
<b>Gear Ratio</b>	4.033:1



# Gardner Denver

*\* Amerimex Closed Loop Water Cooled Motor Configuration shown*

PISTON CYLINDER		DISPLACEMENT – DRILLING SERVICE				MAXIMUM PSI		PUMP RPM	JACKSHAFT RPM
DIAMETER		PER REVOLUTION		MAXIMUM FLOW RATE		PSI	bar		
inch	mm	gallon	liters	GPM	LPM	PSI	bar	110	444
9*	229	11.57	43.78	1,272	4,816	2,908	201		
8.5	216	10.32	39.06	1,135	4,296	3,260	225		
8	203	9.14	34.60	1,005	3,806	3,680	254		
7.5	191	8.03	30.41	884	3,345	4,188	289		
7	178	7.00	26.49	770	2,914	4,807	331		
6.5	165	6.03	22.84	664	2,512	5,575	348		
6	152	5.14	19.46	565	2,141	6,543	451		
5.5	140	4.32	16.35	475	1,779	7,500	517		
5	127	3.75	13.51	393	1,487	7,500	517		

*Ratings are based on 90% mechanical efficiency and 100% volumetric efficiency*

*\* Contact Gardner Denver engineering for application review and approval*

# PUMPS

## PZ 2400 DRILLING PUMP

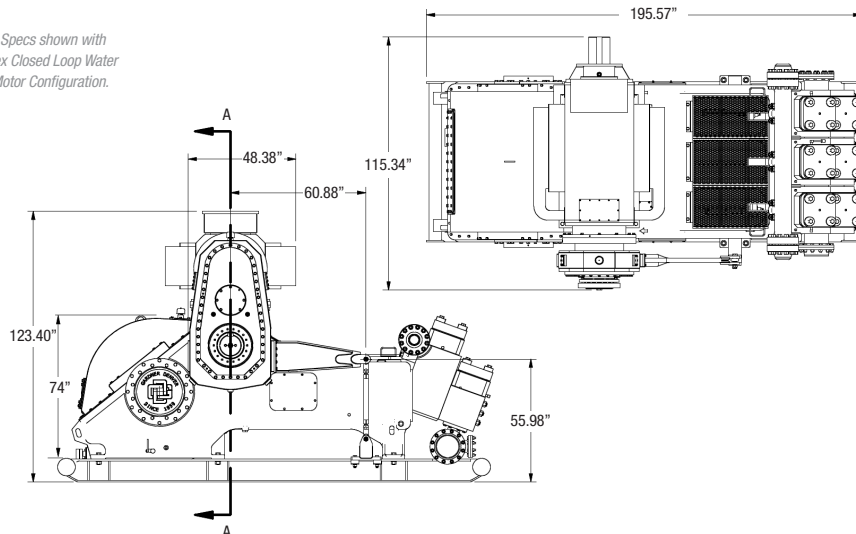
**Gardner  
Denver**

### STANDARD FEATURES

- Patented, severe duty, Y-Shaped fluid modules
- High-strength cast power frame, eccentric connecting rods and crossheads
- Full roller bearing construction
- Heat-treated alloy steel, double-helical AGMA drive gears.
- Double extended jackshaft for mounting sheaves or sprockets
- Replaceable bronze crosshead slides
- Fabricated, log-style suction manifold
- Hydrostatic-tested cast steel discharge manifold
- API suction and discharge connections
- Full open valve seats

### SPECIFICATIONS

*PZ 2400 Specs shown with Amerimex Closed Loop Water Cooled Motor Configuration.*



*NOTE: Installation drawing shown with Next Generation fluid end geometry. Additional drawings are available from engineering per application.*



### OPTIONAL FEATURES

- Steel transportation and placement skid for pump only
- Larger maintenance skid with non-slip decking
- Centrifugal suction charging pump
- Oil pump assembly for power end lubrication
- Suction stabilizer
- Discharge dampener
- Quick change retention and rod systems by P-Quip
- Clear Lexan covers on hood inspection ports
- Custom packaging available
- Electrical Top Drive Gearbox Option
- Pressurized Lubrication System for Gearbox available

### CONNECT WITH US

[www.gardnerdenverpumps.com](http://www.gardnerdenverpumps.com)

1-866-GDPumps | +1-918-GDPumps

 GardnerDenverPumps

 @GDPumps

 GardnerDenverPumpsTV

 GardnerDenverPumps