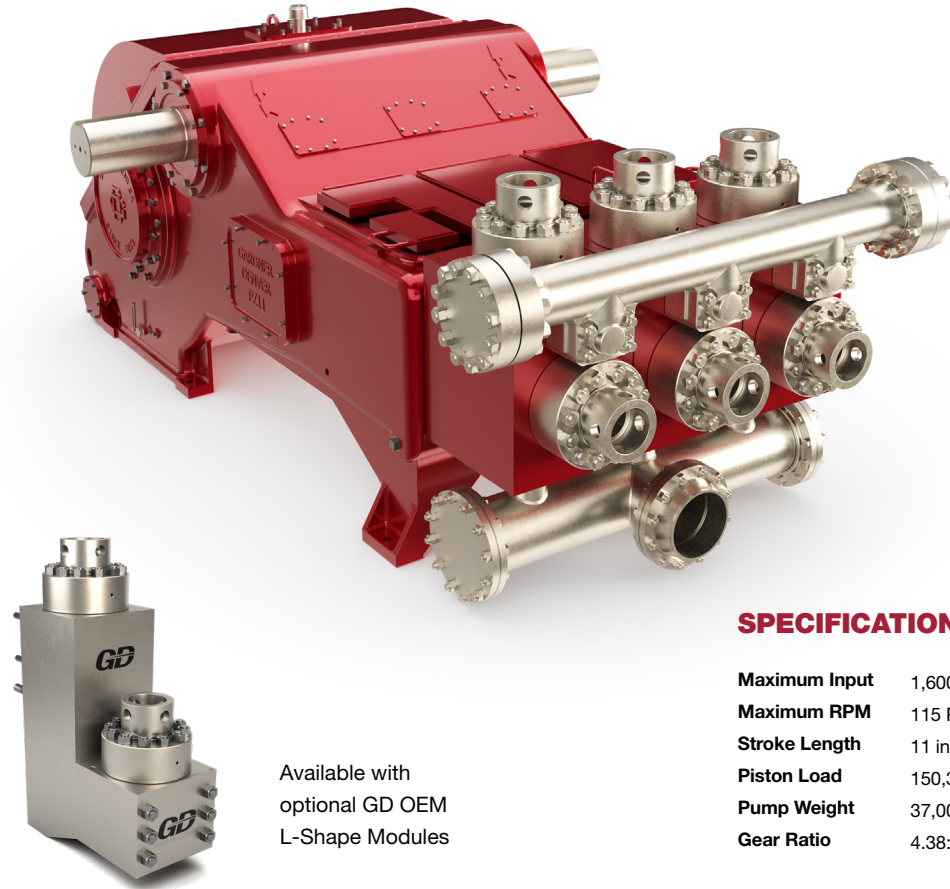


# PUMPS



## PZ 1600 PUMP

Known for its durability and ease of maintenance, the PZ 1600 is a 1600hp triplex drilling pump that features 7,500 psi modules and an 11" stroke. The PZ 1600's superior performance is attributed to its proven design, which is built using a cast frame and the highest quality parts. Packaged with Redline™ Series consumables, customers can expect unmatched performance while lowering their total cost of ownership. The PZ Series has the ability to handle higher pressures and comes with a limited five-year-warranty on the power end.



### BEST-IN-CLASS FEATURES

- Falcon technology for improved serviceability
- Bore seal valve cover and wear plate design for improved seal performance
- Optimized internal module geometry minimizing operating stress
- Full roller bearing construction
- High strength nodular frame, eccentric, conn-rods and crossheads in a light-weight, compact design

### STANDARD FEATURES

- Heat treated alloy steel, double helical AGMA drive gears
- Double extended jackshift for mounting sheaves or sprockets
- Replaceable bronze crossheads slides
- Full roller bearing construction at eccentric mains, jackshift, connecting rods, and crosshead pins

*Ratings shown are for 7,500 PSI Fluid End Cylinder. 5000 PSI modules also available. Visit [www.gardnerdenverpumps.com](http://www.gardnerdenverpumps.com)*

*Weight: Complete pump with large steel skid - 41,400 pounds.*

Available with optional GD OEM L-Shape Modules

### SPECIFICATIONS

|                      |                        |
|----------------------|------------------------|
| <b>Maximum Input</b> | 1,600 BHP (1,491 kW)   |
| <b>Maximum RPM</b>   | 115 RPM                |
| <b>Stroke Length</b> | 11 in (279 mm)         |
| <b>Piston Load</b>   | 150,300 lb (668,568 N) |
| <b>Pump Weight</b>   | 37,000 lbs (16,815 kg) |
| <b>Gear Ratio</b>    | 4.38:1                 |

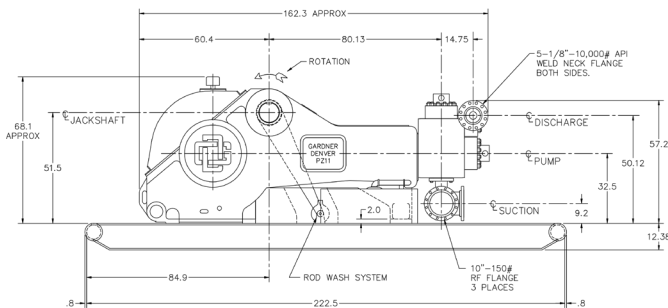
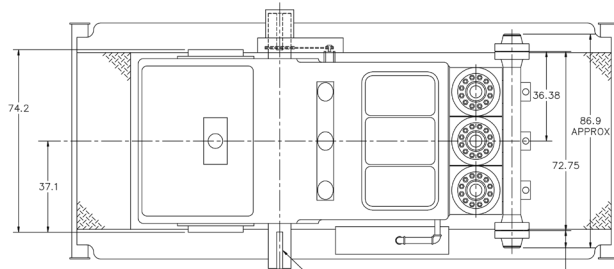
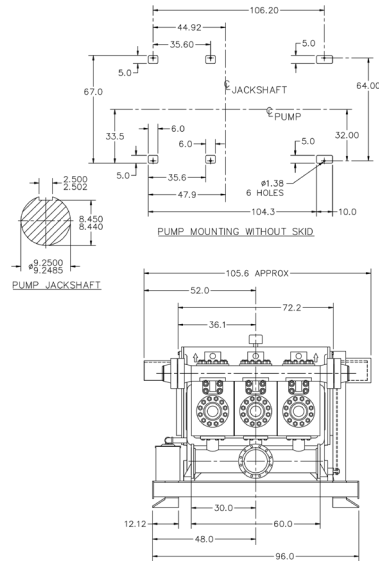
| 7,000 PSI Fluid End Cylinder |     |                                 |        |            |      |             |     |          |               |
|------------------------------|-----|---------------------------------|--------|------------|------|-------------|-----|----------|---------------|
| PLUNGER/PISTON               |     | DISPLACEMENT – DRILLING SERVICE |        |            |      | MAXIMUM PSI |     | PUMP RPM | JACKSHAFT RPM |
| DIAMETER                     |     | PER REVOLUTION                  |        | PER MINUTE |      |             |     |          |               |
| in                           | mm  | Gallon                          | Liters | GPM        | LPM  | PSI         | bar |          |               |
| 7                            | 178 | 5.50                            | 20.81  | 632        | 2393 | 3904        | 269 | 115      | 504           |
| 6.5                          | 165 | 4.74                            | 17.94  | 545        | 2064 | 4527        | 312 |          |               |
| 6.25                         | 159 | 4.38                            | 16.59  | 504        | 1908 | 4897        | 338 |          |               |
| 6                            | 152 | 4.04                            | 15.29  | 465        | 1758 | 5314        | 366 |          |               |
| 5.5                          | 140 | 3.39                            | 12.85  | 390        | 1478 | 6324        | 436 |          |               |
| 5                            | 127 | 2.80                            | 10.62  | 323        | 1221 | 7500        | 517 |          |               |

*Ratings are based on 90% mechanical efficiency and 100% volumetric efficiency*

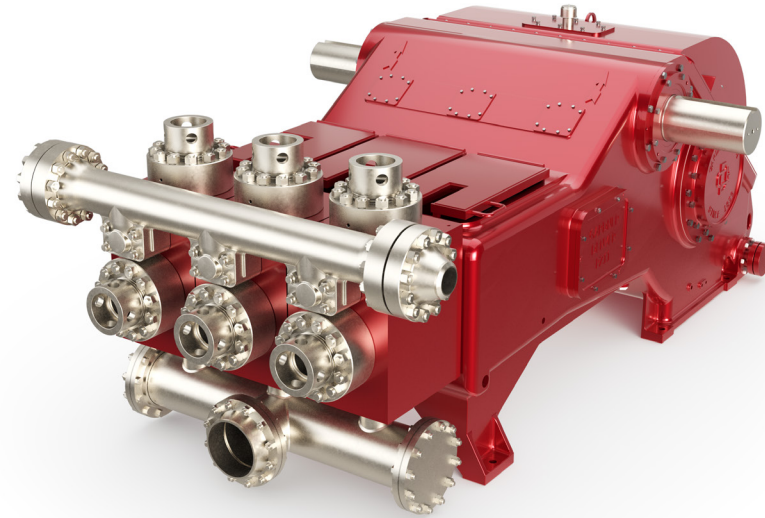
# PUMPS

## PZ 1600 PUMP

### SPECIFICATIONS



# Gardner Denver



### OPTIONAL FEATURES

- Steel transportation and placement skid for pump only or larger maintenance skid with non-slipping deck
- Centrifugal suction charging pump
- Suction stabilizer and/or discharge damper
- External electric powered lube pump
- Fabricated, suction manifold
- Custom packaging available
- Discharge manifold

### CONNECT WITH US

[www.gardnerdenverpumps.com](http://www.gardnerdenverpumps.com)

1-866-GDPumps | +1-918-GDPumps

 GardnerDenverPumps

 @GDPumps

 GardnerDenverPumpsTV

 GardnerDenverPumps

NOTE: Installation drawing shown with Next Generation fluid end geometry. Additional drawings are available from engineering per application.