

# PUMPS

## PZ 2400 DRILLING PUMP

Gardner Denver's PZ 2400 is the most powerful drilling pump available today. With 10% more horsepower, 30% less weight and a smaller footprint than that of competing pumps, the PZ 2400 is the drilling pump of the future. Packaged with Redline™ Series consumables, customers can expect unmatched performance while lowering their total cost of ownership.



### BEST-IN-CLASS FEATURES

- 14" stroke maximizing flow at higher pressures
- Standard Redline™ expendables, meaning fewer repairs and more predictable maintenance intervals
- Rated at 7,500 psi, and with a five-year-warranty on the power end, makes the PZ 2400 an ideal choice for both super-spec rigs and rigs requiring upgrades

### STANDARD FEATURES

- Patented, severe duty, Y-Shaped fluid modules
- High-strength cast power frame, eccentric connecting rods and crossheads
- Full roller bearing construction
- Heat-treated alloy steel, double-helical AGMA drive gears.
- Double extended jackshaft for mounting sheaves or sprockets
- Replaceable bronze crosshead slides
- Fabricated, log-style suction manifold

### SPECIFICATIONS

- Maximum Input** 2,400 BHP (1,790 kW)
- Maximum RPM** 110 RPM
- Stroke Length** 14 in. (356 mm)
- Piston Load** 185,000 lbs. (822,921 N)
- Pump Weight** 88,000 lbs. (39,916 kg) with Top Drive Gearbox System  
63,500 lbs. (28,803 kg) with skid and hydraulic tensioning system
- Gear Ratio** 4.033:1

\* Amerimex Closed Loop Water Cooled Motor Configuration shown

| PISTON CYLINDER |     | DISPLACEMENT – DRILLING SERVICE |        |                   |       | MAXIMUM PSI |     | PUMP RPM | JACKSHAFT RPM |
|-----------------|-----|---------------------------------|--------|-------------------|-------|-------------|-----|----------|---------------|
| DIAMETER        |     | PER REVOLUTION                  |        | MAXIMUM FLOW RATE |       |             |     |          |               |
| inch            | mm  | gallon                          | liters | GPM               | LPM   | PSI         | bar |          |               |
| 9*              | 229 | 11.57                           | 43.78  | 1,272             | 4,816 | 2,908       | 201 | 110      | 444           |
| 8.5             | 216 | 10.32                           | 39.06  | 1,135             | 4,296 | 3,260       | 225 |          |               |
| 8               | 203 | 9.14                            | 34.60  | 1,005             | 3,806 | 3,680       | 254 |          |               |
| 7.5             | 191 | 8.03                            | 30.41  | 884               | 3,345 | 4,188       | 289 |          |               |
| 7               | 178 | 7.00                            | 26.49  | 770               | 2,914 | 4,807       | 331 |          |               |
| 6.5             | 165 | 6.03                            | 22.84  | 664               | 2,512 | 5,575       | 348 |          |               |
| 6               | 152 | 5.14                            | 19.46  | 565               | 2,141 | 6,543       | 451 |          |               |
| 5.5             | 140 | 4.32                            | 16.35  | 475               | 1,779 | 7,500       | 517 |          |               |
| 5               | 127 | 3.75                            | 13.51  | 393               | 1,487 | 7,500       | 517 |          |               |

Ratings are based on 90% mechanical efficiency and 100% volumetric efficiency

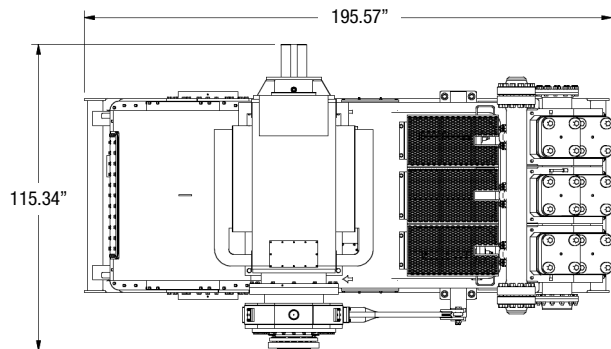
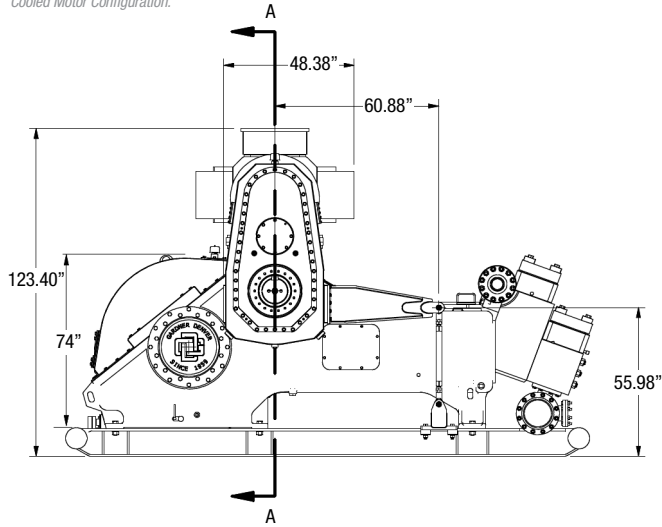
\* Contact Gardner Denver engineering for application review and approval

# PUMPS

## PZ 2400 DRILLING PUMP

### SPECIFICATIONS

PZ 2400 Specs shown with  
Amerimex Closed Loop Water  
Cooled Motor Configuration.



NOTE: Installation drawing shown with Next Generation fluid end geometry. Additional drawings are available from engineering per application.

# Gardner Denver



### OPTIONAL FEATURES

- Steel transportation and placement skid ( for pump only)
- Larger maintenance skid with non-slip decking
- Centrifugal suction charging pump
- Oil pump assembly for power end lubrication
- Suction stabilizer
- Discharge dampener
- Quick change liner retention and rod systems
- Clear Lexan covers on hood inspection ports
- Custom packaging
- Electrical Top Drive Gearbox
- Pressurized Lubrication System for Gearbox

### CONNECT WITH US

[www.gardnerdenverpumps.com](http://www.gardnerdenverpumps.com)

1-866-GDPumps | +1-918-GDPumps

 GardnerDenverPumps

 @GDPumps

 GardnerDenverPumpsTV

 GardnerDenverPumps